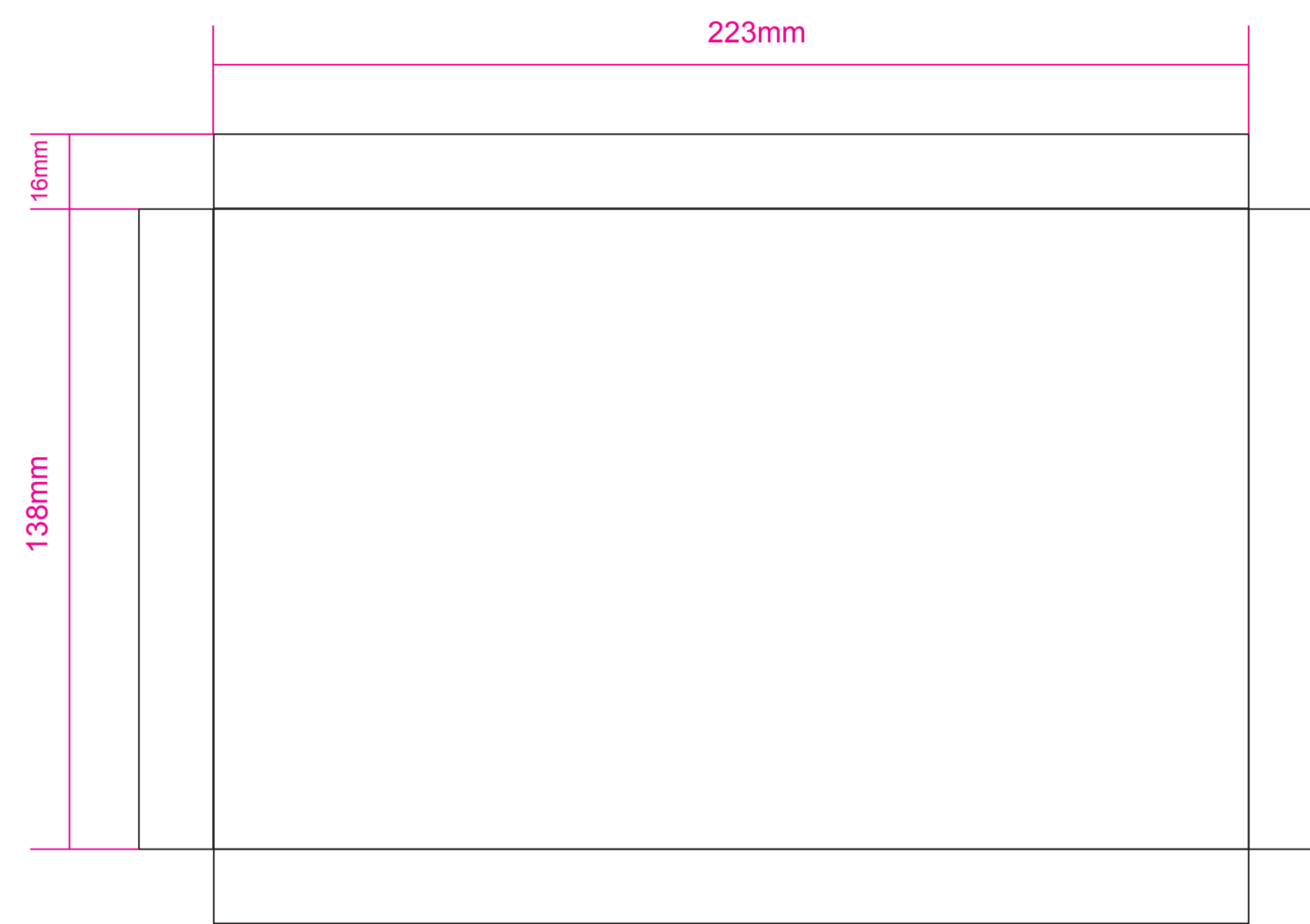
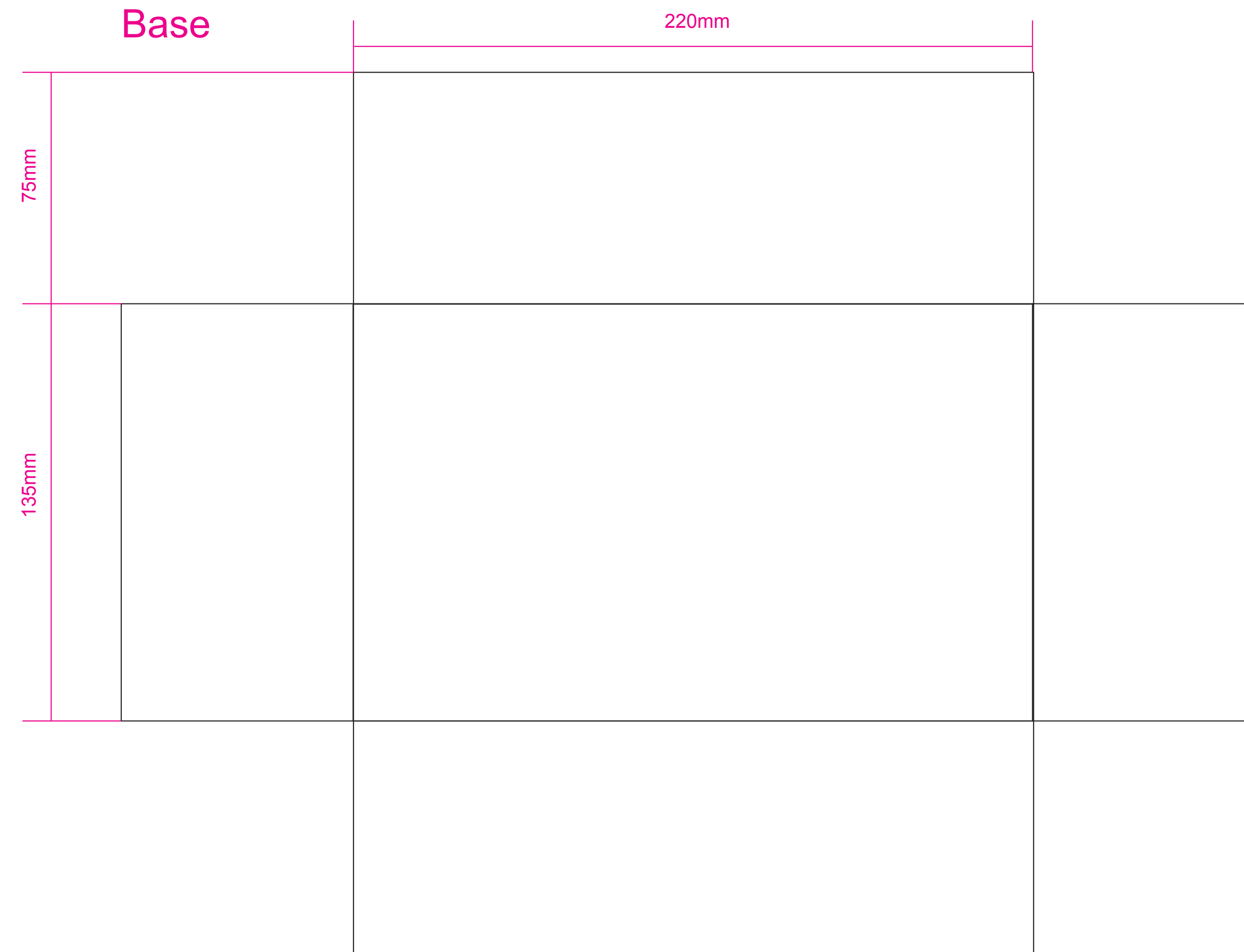


Box Structure

Lid

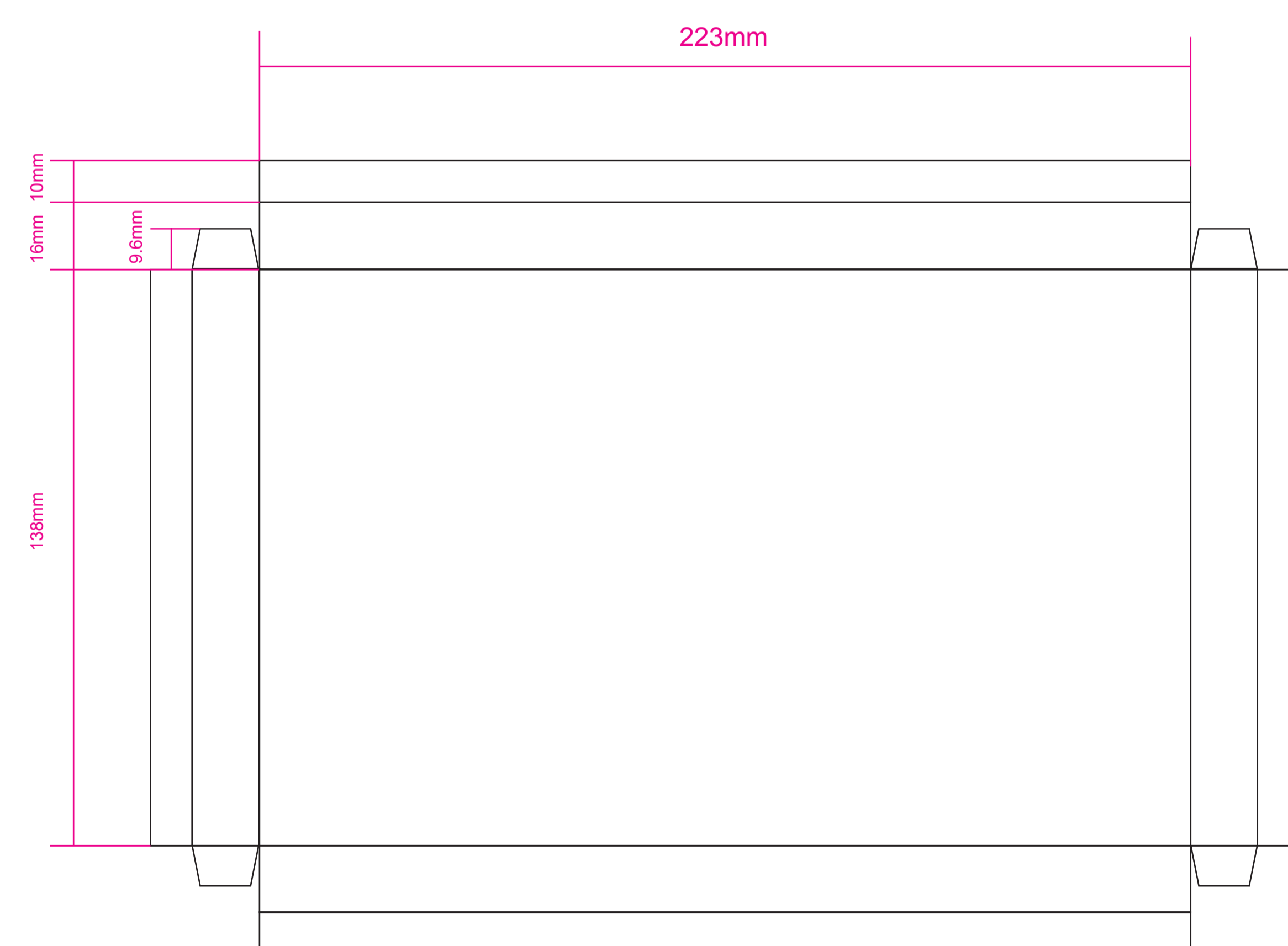


Base

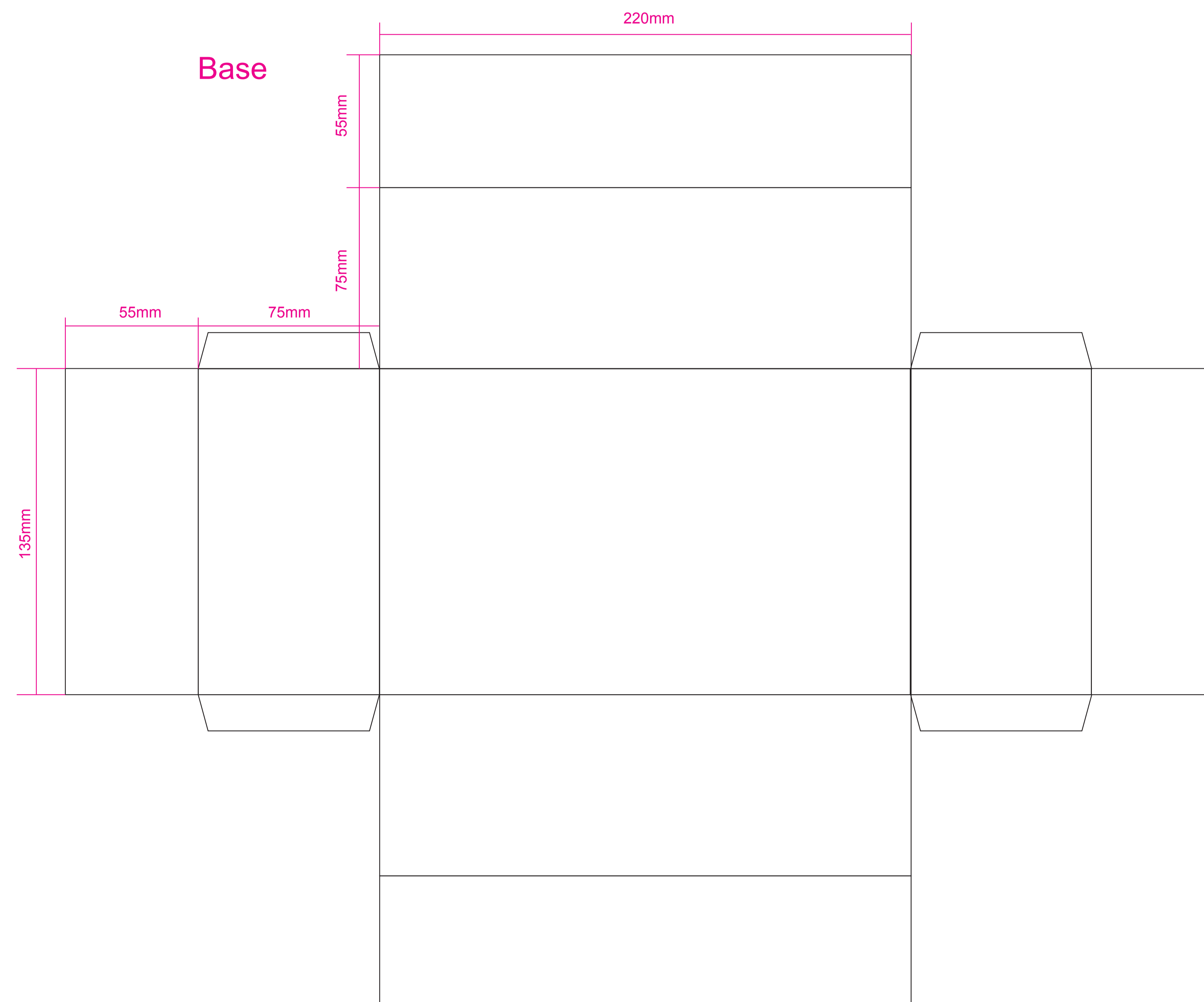


Outside Paper Coating

Lid



Base



Name:	COMPANY
Date:	DD-MMM-YY
Box Type:	Two Piece
Size (Internal)	135x220x75mm
Materials:	MATERIAL(S) & WEIGHT
Lamination:	LAMINATION
Add.Features	ADDITIONAL FEATURES E.G. SPOT UV
Closure	
Type:	Two Piece Lid
Material:	MATERIAL(S) & WEIGHT
Colour:	COLOUR
Height:	16mm (iv)
Print:	NO. OF PRINT COLOURS
Colours & Additional Finishes:	

GUIDE DONT PRINT	Pantone	C: M: Y: K:
---------------------------------	----------------	--------------------------------

Please note: All orders are subject to a +/- 10% manufacturing tolerance on final products. Pantones are matched to the PMS system. Printed colours cannot be matched to screens or desktop printer representations.

Manufacture will take place based on your approved artwork. We cannot be held responsible for any errors once artwork has been approved by you, please check carefully.